

### 2" & 4" ROUND FAST JACK MONOPOINT CANOPY

The 2" & 4" LED Round Fast Jack Monopoint Canopies mount to a standard 4" electrical box that houses a 60W 24VDC LED power supply (included). The PS-60L-ELV-24VDC (50 Watt IC, 60 Watt Non-IC) power supply fits within the junction box for a seamless aesthetic. \*LED version can also be used with maximum of 50 watt halogen load per port. Compatible with Lutron Diva, Skylark and Legrand ELV dimmers

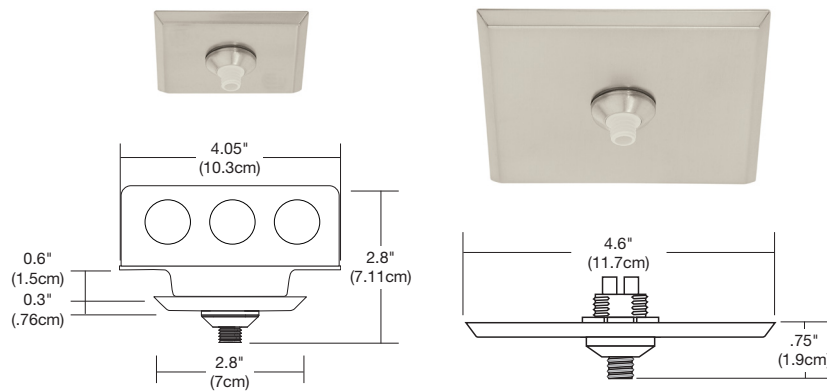
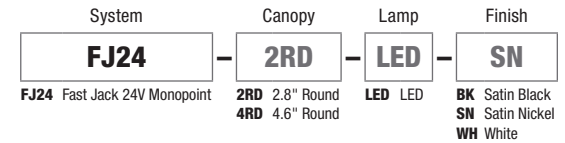
### FINISHES



Satin Black  
**BK**

Satin Nickel  
**SN**

White  
**WH**



### 2" & 4" SQUARE FAST JACK MONOPOINT CANOPY

The 2" & 4" LED Square Fast Jack Monopoint Canopy mounts to a standard 4" electrical box that houses a 60W 24VDC LED power supply (included). The PS-60L-ELV-24VDC (50 Watt IC, 60 Watt Non-IC) power supply fits within the junction box for a seamless aesthetic. \*LED version can also be used with maximum of 50 watt halogen load per port. Compatible with Lutron Diva, Skylark and Legrand ELV dimmers

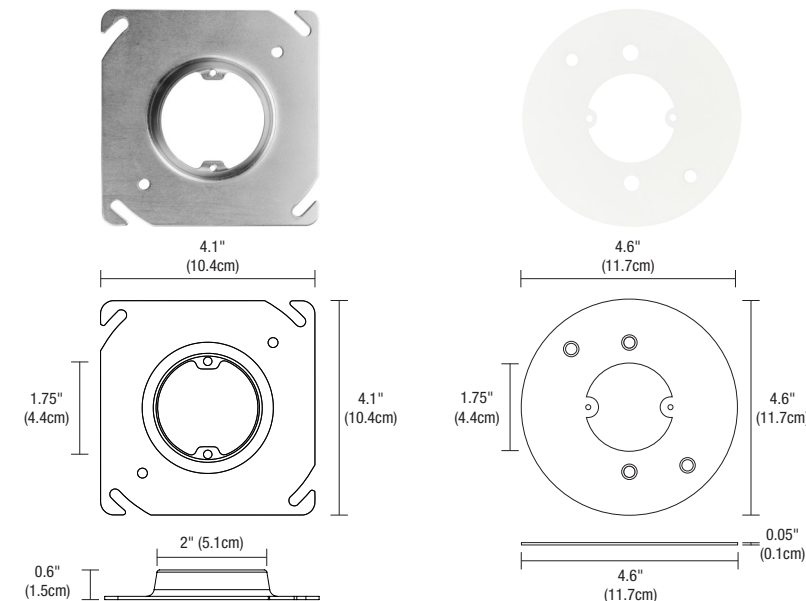
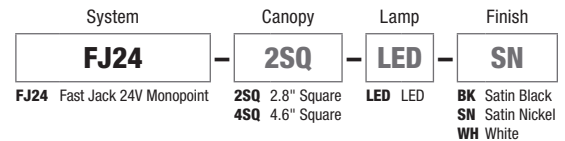
### FINISHES



Satin Black  
**BK**

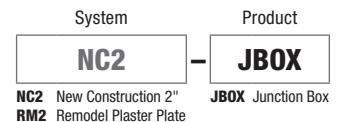
Satin Nickel  
**SN**

White  
**WH**

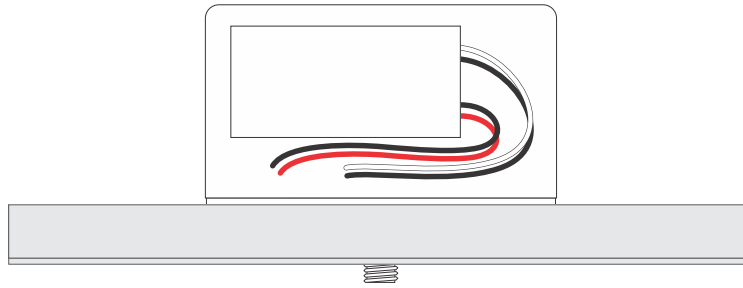


### NEW CONSTRUCTION & REMODEL 2" COVER FOR 4" SQUARE JUNCTION BOX

The New Construction NC2-JBOX Cover is included with the 2" Round and Square Canopies and is not required for the 4" Round or Square Canopies. NC2 New Construction Junction Box Cover mounts to a standard 4" Electrical Box or Octagon Box, converting it to a 2" Plaster Ring for use with the Round (2R) or Square (2S) Canopy. The Remodel RM2-JBOX Plaster Plate cover is used with an existing 4" Square Junction Box and standard Round Plaster Ring. The PS-60L-ELV-24VDC (50 Watt IC, 60 Watt Non-IC) will fit inside the NC2 or RM2-JBOX Cover and Electrical Junction Box for a flush look.



PROJECT	FIXTURE TYPE	DATE
---------	--------------	------



**DESCRIPTION**

Compact, lightweight remote electronic 60W/24V LED Power Supply\* converts standard 120VAC voltage to 24VDC and features a Soft Start, built in short circuit protection, overload protection, and thermal overload protection. The low voltage output may be dimmed using an electronic low voltage dimmer (Reverse Phase/Trailing Edge). The Power Supply is certified to be used inside a standard Junction Box enclosure. Indoor applications only. 40 watt options available for 240V and 277V inputs.

\*Electrical Panels using Seimens/Murray AFCI breakers are not compatible with this ELV transformer. Use UNI driver power supplies with this breaker.

\*\*ELV power supplies are not compatible with nLight, use only 0-10 volt or Uni driver power supplies

**APPLICATIONS**

Indoor\*

\*Maintain proper spacing among power supplies when multiple power supplies are installed in the same remote location.

**APPROVALS**

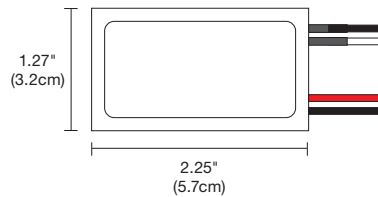
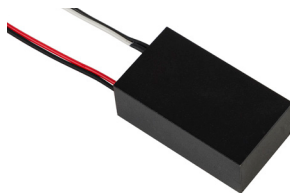
Class 2 Wiring up to 100 watts, Damp Location Suitable, ETL listed.

**POWER INPUT** 120 volts AC, 60Hz

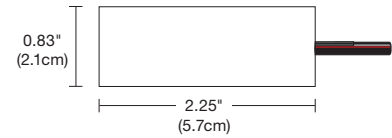
**POWER OUTPUT** Class 2; 24 volts DC 2.5A 60 watt maximum, 40 watt for 240V or 277V inputs

**DIMENSIONS** 2.25" x 1.27" x 0.83"

**DIMMER TYPE** Electronic Low Voltage Dimmer Lutron: Diva #DVELV-300P; Skylark #SELV-300P; Maestro #MAELV-600; Legrand Adorne ADTP703TU



**Top View**



**Side View**

PROJECT		FIXTURE TYPE		DATE	
---------	--	--------------	--	------	--